

Large Size – Alloys

When a Switch Won't Fit In the Tank, Use a Non-Intrusive Bottle Type

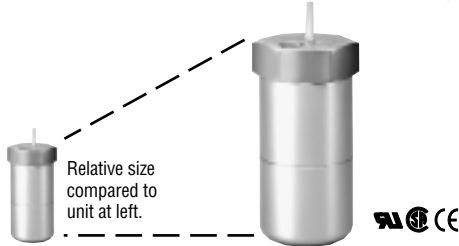
Bottle type level switches are ideal for large or small tanks or where access to the inside is impractical or impossible. These units mount completely outside of the tank, at the level actuation point.

LS-800-5 Series – Single Level, Brass or Stainless Steel Housing



3/4" NPT Ports

LS-159000 Series – Low Cost, Compact Aluminum Housing



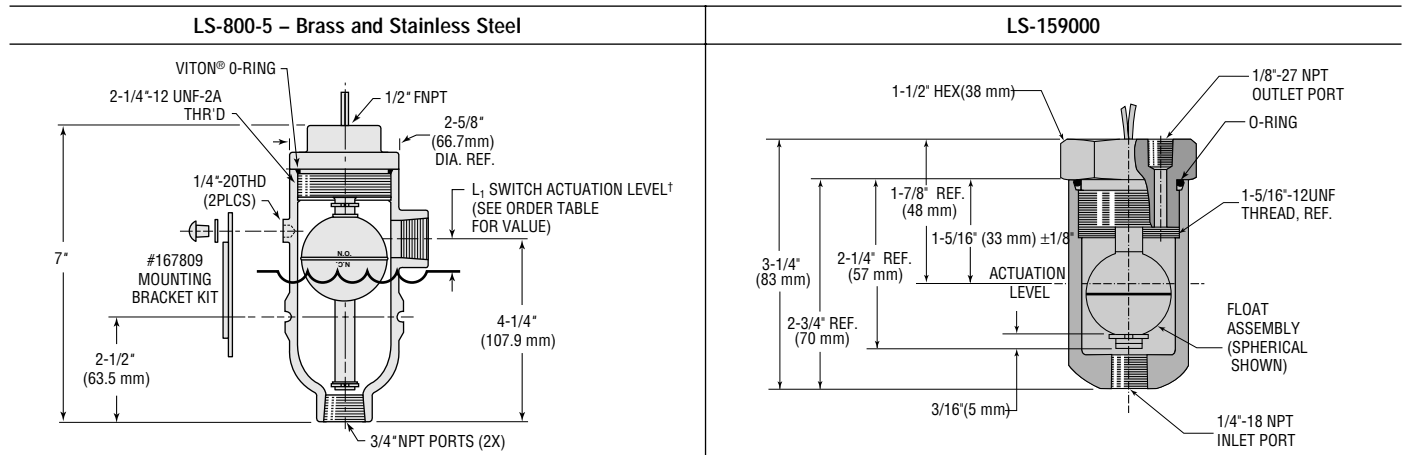
Inline NPT Ports

For Remote Alarms – See Page E-27

- Adjustable Volume
- Indoor Outdoor
- Solid-State



Dimensions



†L₁ = Switch actuation level, nominal (based on a liquid specific gravity of 1.0).

Common Specifications

Electrical Termination: No. 18 AWG, 24" L., Polymeric Lead Wires (LS-800-5) / No. 22 AWG, 24" L., Polymeric Lead Wire (LS-159000).

Approvals: Series Nos. LS-800-5 and LS-159000 are U.L. Recognized – File No. E45168 and CSA listed – File No. LR-30200.

Switch Operation: Selectable, N.O. or N.C., by inverting float on unit stem.

Mounting Attitude: Vertical with lead wires up.

How To Order - Select Part Number based on specifications required.

Series Number	Materials			Min. Liquid Sp. Gr.	Pressure, PSIG, Max.	Operating Temperature	L ₁	Switch*	Part Number	
	Housing	Stem and Mounting	Float							Other Wetted
LS-800-5	Brass	316 Stainless Steel	316 Stainless Steel	Beryllium Copper	.75	500 @ 70°F	-40°F to +300°F (-40°C to 148.9°C)	SPST, 20 VA	172625 ⚡	
				SPST, 100 VA**					172986	
	316 Stainless Steel	S.S. ARMCO H-15-7 MO	316 S.S.	Beryllium Copper	.90	600 @ 70°F		750	SPST, 20 VA	172635 ⚡
										DPDT
LS-159000	Aluminum	Brass	316 S.S.	Beryllium Copper	.90	600 @ 70°F	-40°F to +300°F (-40°C to 148.9°C)	See Dimensions	144080	
			Buna N	Viton	.50	250 @ 70°F			-40°F to +250°F(oil); +180°F (water) (-40°C to +121°C[oil]; +82°C[water])	160405

* See "Electrical Data" on Page D-4 for more information. DPDT relay information is with Dimensions above.

** 100 VA switches are not U.L. Recognized.